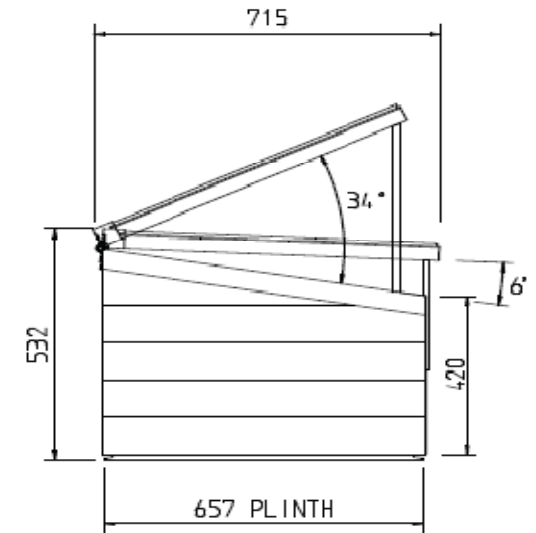
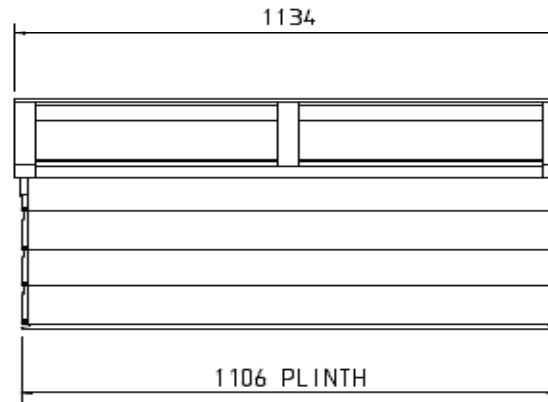




The Baby Coldframe – Specification

Approximate Measurements 3ft 7 1/2in x 2ft 2in



Cedar

The framework and cladding is top grade Western Red Cedar which is grown on the Western Sea Board of North America. It has long been used in inclement climates in the construction and garden industries due to its longevity (the timber contains natural preservatives). Stability (it does not easily warp or bend being straight grained) and strength. All of our cedar is sourced from certified or sustainable forests. Cedar absorbs moisture readily which brings the natural preservatives to the surface. There is a wide colour variation in the raw material, but they all mellow to a silver grey when exposed to the elements.

Glass

All our structures are glazed in Toughened tempered Safety Glass to BS.6206 Class A

Fixings

These are a combination of solid brass and stainless steel, both being suitable for use with Western Red Cedar due to their resistance to corrosion by the timber itself and extreme weather conditions.

Optional Extras

We can provide a plan for preparing a brick base for our baby cold frame should you prefer to replace the cedar sides with brickwork. We can also supply a steel base.

For further information call Growhouse on **0845 615 6745**, or visit us and order online at www.growhouse.co.uk